

Product Information

FIRSURF - Surf Rider - Surf Spring Plank

BS EN 1176 - Designed to British & European Standards

MATERIALS

Panel - Two Colour **XD^{eco}** High Density Polyethylene (HDPE)

Grips - **POLYDEK^{eco}** Recycled HDPE with a rubber top layer

Spring & Brackets - Powder coated steel

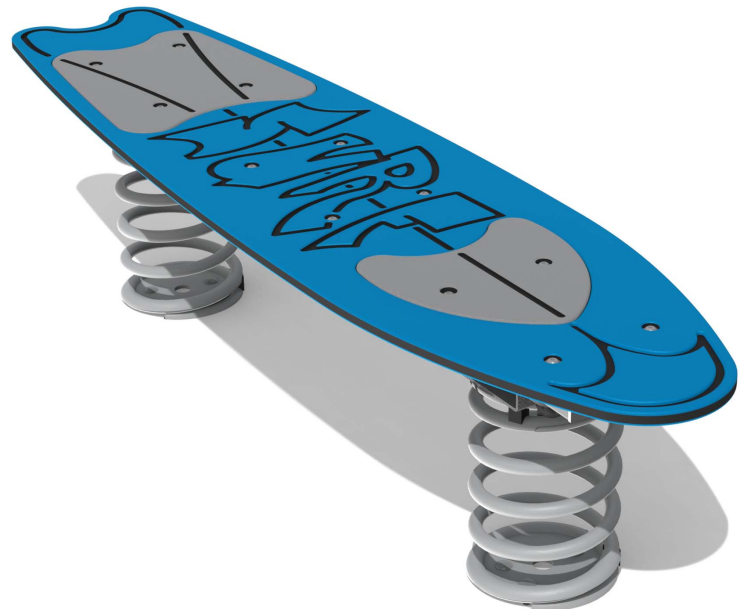
Ground Anchor - Galvanised steel

SUPPLY METHOD

Plank - Assembled with fixing pack

Spring - Fully assembled

Ground Anchor - Loose components with fixing packs (x2)



FEATURES



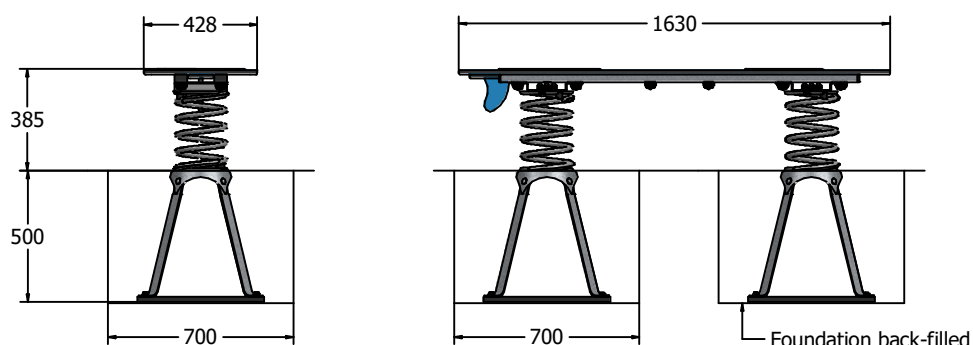
SPRING - Spring balance maze



BALANCE - Balance yourself on the platform



DIMENSIONS



TECHNICAL

Age Range:	2+ Years
Largest Part:	Plank Assembly - 178 x 1630 x 428mm
Heaviest Part:	Spring Assembly 20 kg Approx.
Total Weight:	56 kg Approx.
FFH (Free Fall Height):	385mm
Surfacing:	1.5m from extremes of equipment with a Critical Fall Height in excess of 600mm

IMPORTANT: you must specify the colour option you require at the time of order if it is different from the colour listed/shown above, requirements are subject to availability at the time of order