

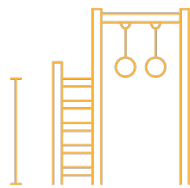
Product Sheet

1 Bay Steel Swing

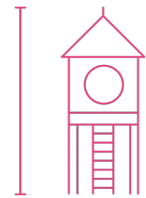
SWG-ST 013-1-3.0

2 Strap

playground
creations
creating play for everyday!



CRITICAL
FALL HEIGHT
1.7m



TOTAL
HEIGHT
3.6m



RECOMMENDED
SURFACING
44m²



RECOMMENDED
AGE
2+



RECOMMENDED
USERS
2



NZS 5828:2015

0800 273 283 | info@playgroundcreations.co.nz | playgroundcreations.co.nz

© THIS DRAWING, INFORMATION AND CONCEPTS CONTAINED
WITHIN ARE THE PROPERTY OF PLAYGROUND CREATIONS

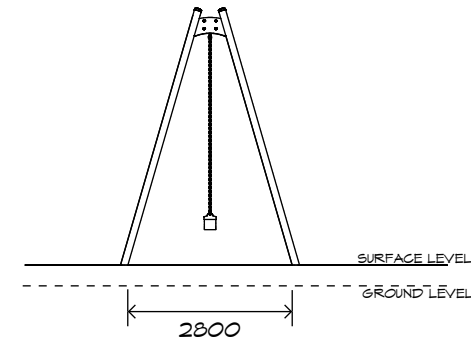
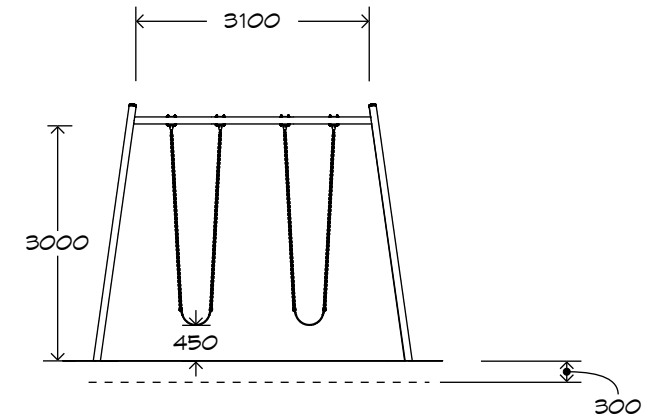
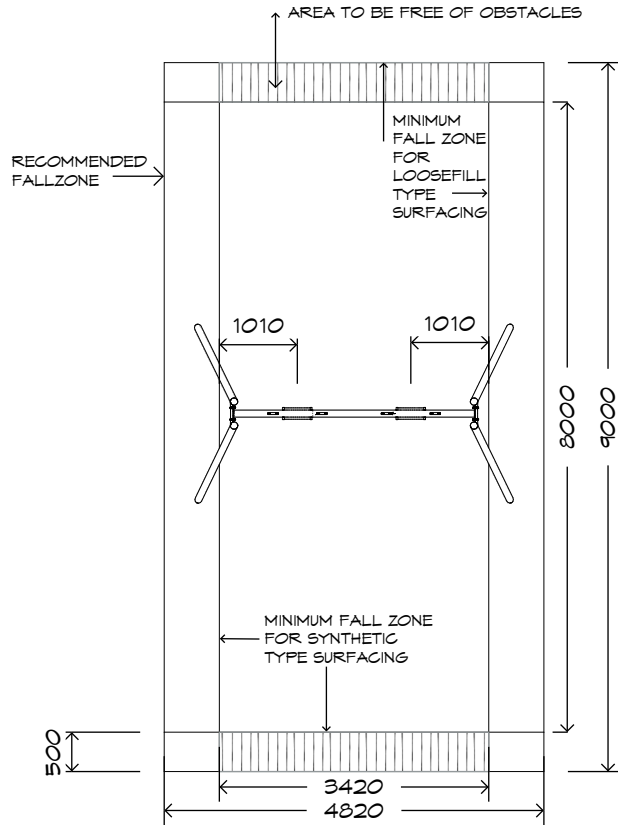
Artist impression only

Product Sheet

1 Bay Steel Swing

SWG-ST 013-1-3.0

2 Strap



Product Warranty

Playground Creations warrants its products to be free from defect in materials or workmanship during normal use and installation and in accordance with our specifications.
Full warranty details on request.



25 YEAR WARRANTY
On all H5 timber posts and metal components



15 YEAR WARRANTY
On structural failure of steel on equipment with forced movement



10 YEAR WARRANTY
On roto-molded plastics and high density polyethylene



5 YEAR WARRANTY
On all combination rope, net construction, stainless steel chain and shackles



2 YEAR WARRANTY
On all other moving parts, swing seats or any other materials not specifically covered already

SURFACING:
RECOMMENDED: 44 m²
EDGING: 28 lm