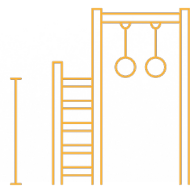
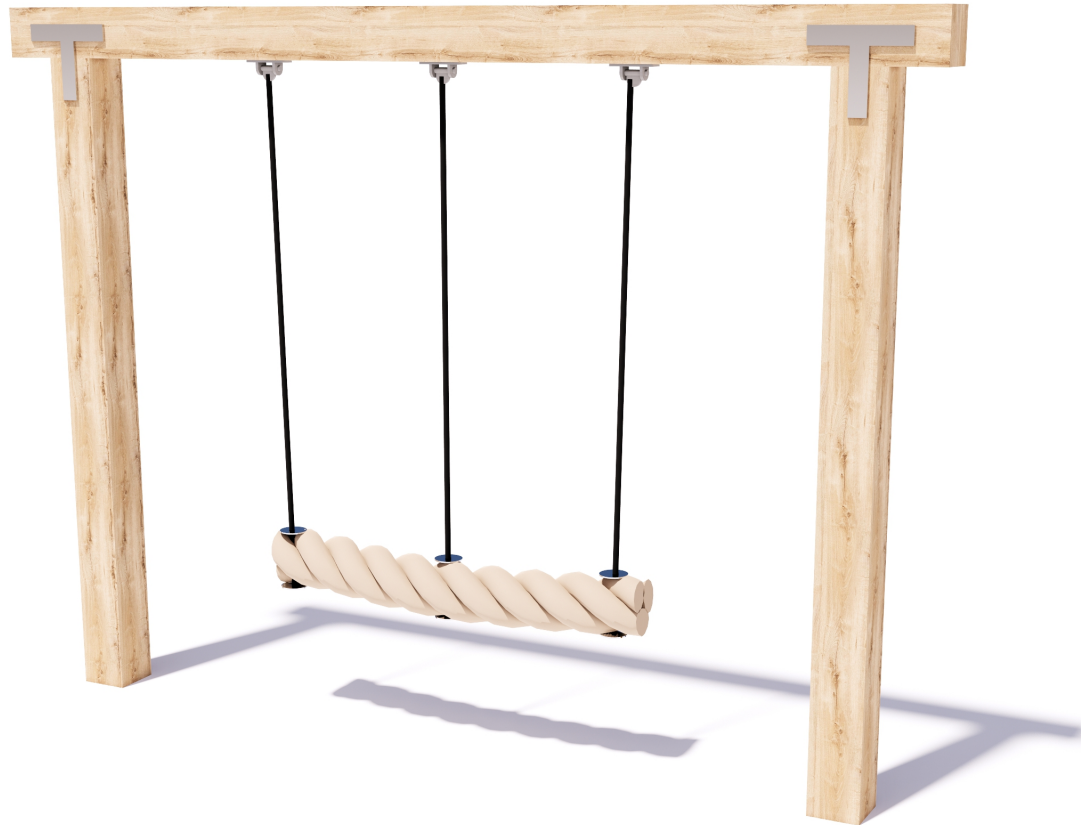


Product Sheet

1 Bay Laminated Swing

SWG-LAM 016-1-2.4

1 Double Rope



CRITICAL
FALL HEIGHT
1.5m



TOTAL
HEIGHT
2.58m



RECOMMENDED
SURFACING
32m²



RECOMMENDED
AGE
2+



RECOMMENDED
USERS
2



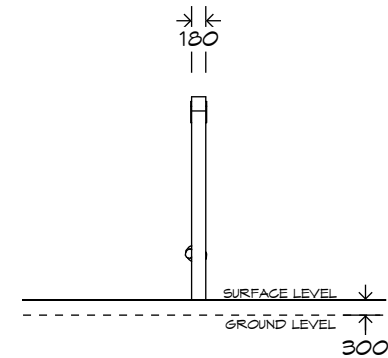
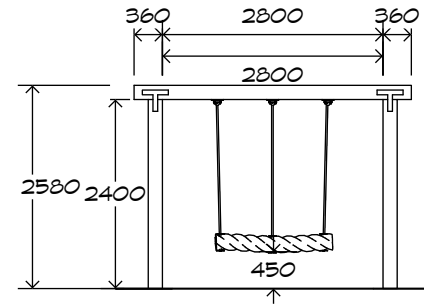
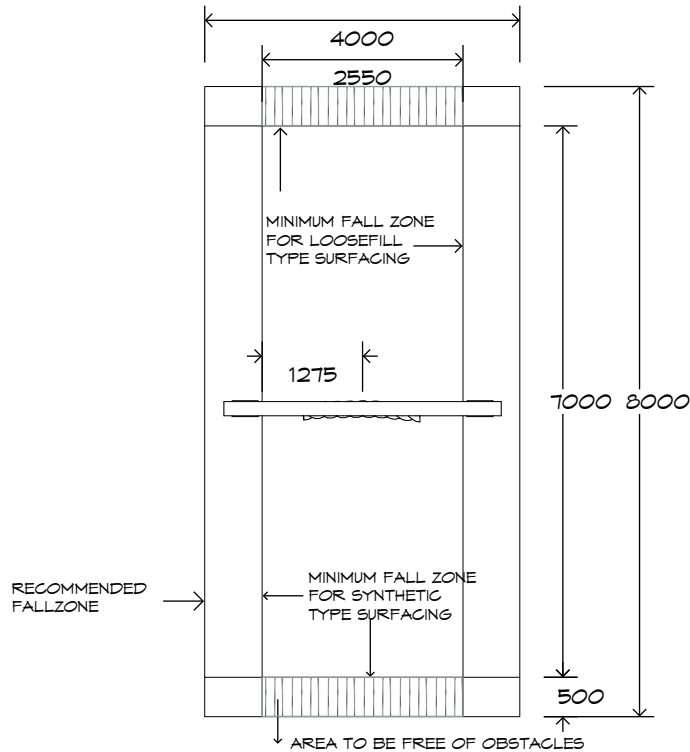
NZS 5828:2015

Product Sheet

1 Bay Laminated Swing

SWG-LAM 016-1-2.4

1 Double Rope



Product Warranty

Playground Creations warrants its products to be free from defect in materials or workmanship during normal use and installation and in accordance with our specifications.

Full warranty details on request.

Disclaimer: This should be read in conjunction with the Playground Creations full warranty terms and conditions.



On H5 posts and stainless steel fabricated components



On steel equipment with forced movement



On HDPE (high density polyethylene) structural failure



On combination rope work and activity nets



On all moving components

SURFACING:
RECOMMENDED: 32 m²
EDGING: 24 lm